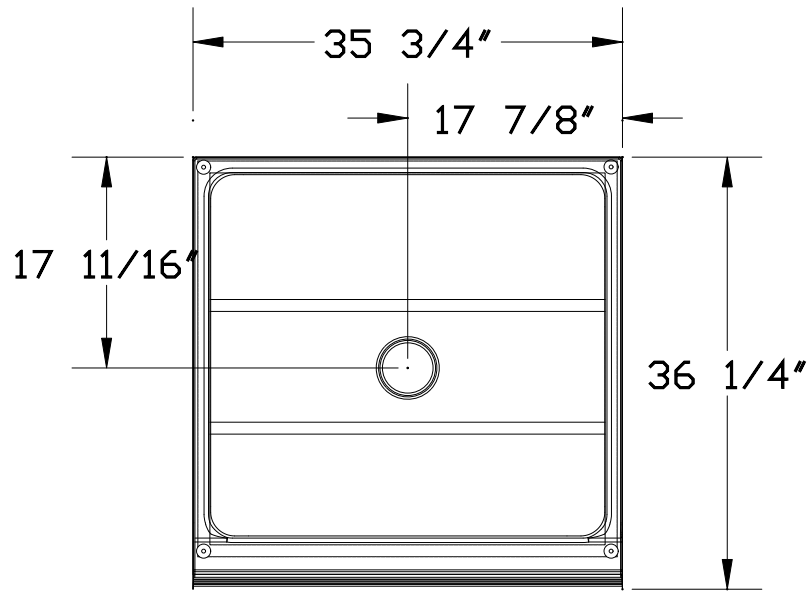
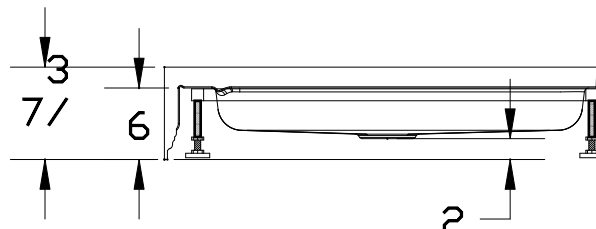



INFORMATION IN THIS DRAWING IS SUBJECT TO CHANGE WITHOUT NOTICE. NO PART OF THIS DRAWING MAY BE REPRODUCED OR TRANSMITTED IN ANY FORM OR BY ANY MEANS, ELECTRONIC OR MECHANICAL, FOR ANY PURPOSE WITHOUT THE WRITTEN PERMISSION OF AQUA GLASS CORPORATION.



FRONT VIEW



SIDE VIEW

<b>TOLERANCE:</b> 1/4	 <b>320 INDUSTRIAL PARK RD.</b> <b>ADAMSVILLE, TN 38310</b>	<b>PRODUCT OR PART NO.:</b> <b>653636EC</b>	<b>DRAWN BY:</b> <b>RYAN DENTON</b>	<b>GENERAL NOTES</b>  <b>ADJUSTABLE LEVELING FEET</b>  <b>TEXTURED BOTTOM</b>
<b>REV:</b> 0		<b>PRODUCT NAME</b> <b>ACRYLIC SINGLE THRESHOLD SHOWER BASE</b>	<b>DRAWING DATE:</b> <b>09-13-05</b>	
<b>SCO NO.:</b> 1198				
<b>SCO DATE:</b> 09-23-05				