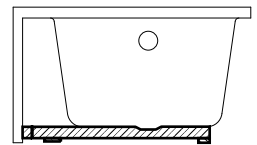
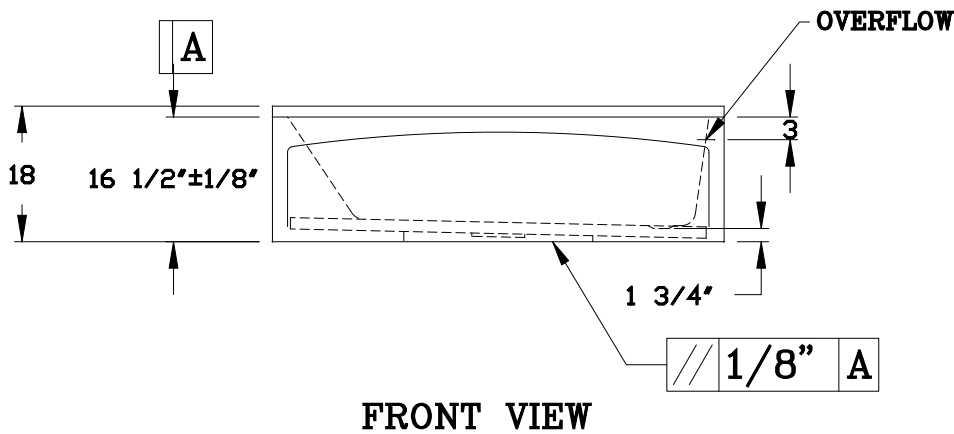
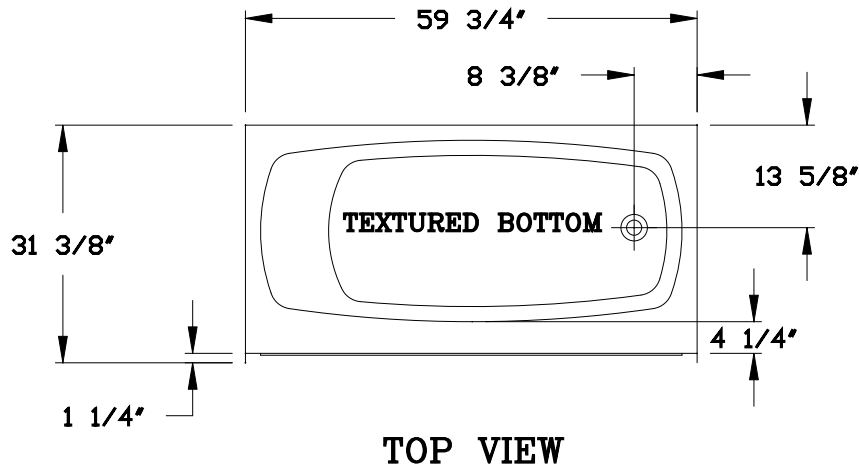


INFORMATION IN THIS DRAWING IS SUBJECT TO CHANGE WITHOUT NOTICE. NO PART OF THIS DRAWING MAY BE REPRODUCED OR TRANSMITTED IN ANY FORM OR BY ANY MEANS, ELECTRONIC OR MECHANICAL, FOR ANY PURPOSE WITHOUT THE WRITTEN PERMISSION OF AQUA GLASS CORPORATION.



TOLERANCE:
±1/4
REV.:
B
SCO. NO.:
980
SCO. DATE:
9/10/04

AQUA GLASS®
320 INDUSTRIAL PARK RD.
ADAMSVILLE, TN 38310

PRODUCT NO.:
346030A-R/L
PRODUCT NAME:
COMPETITIVE
GELCOAT
SOAKING TUB

GENERAL NOTES:
BATHING WELL DIM.
TOP 54 1/2" X 24"
BOTTOM 43" X 19"