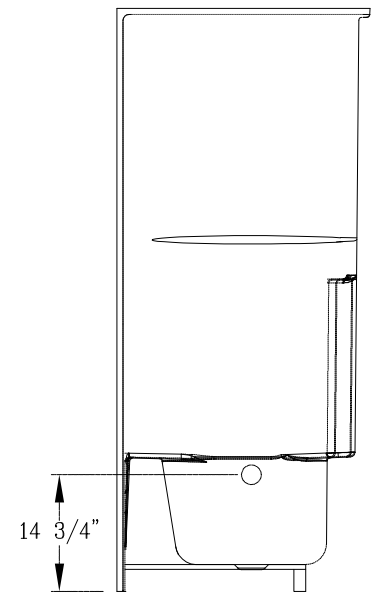
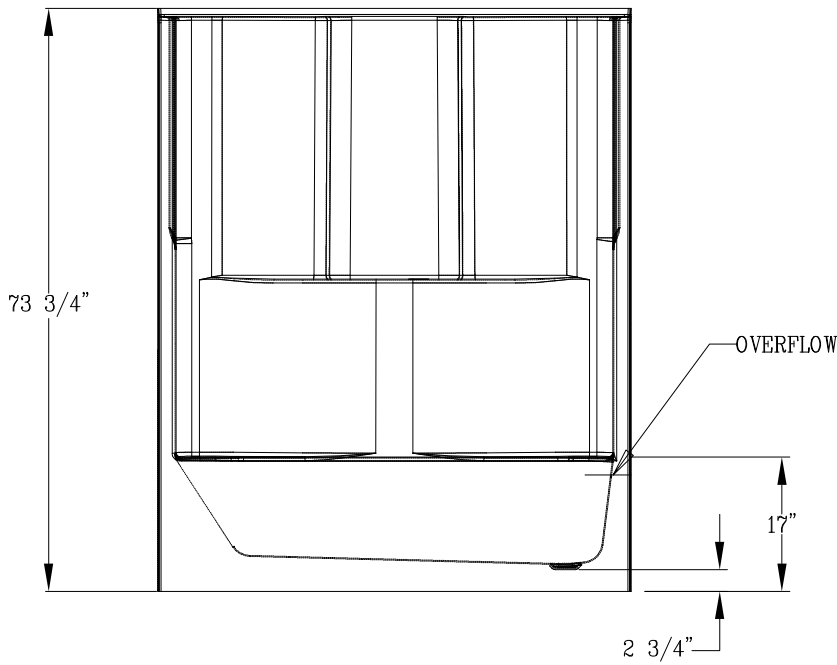
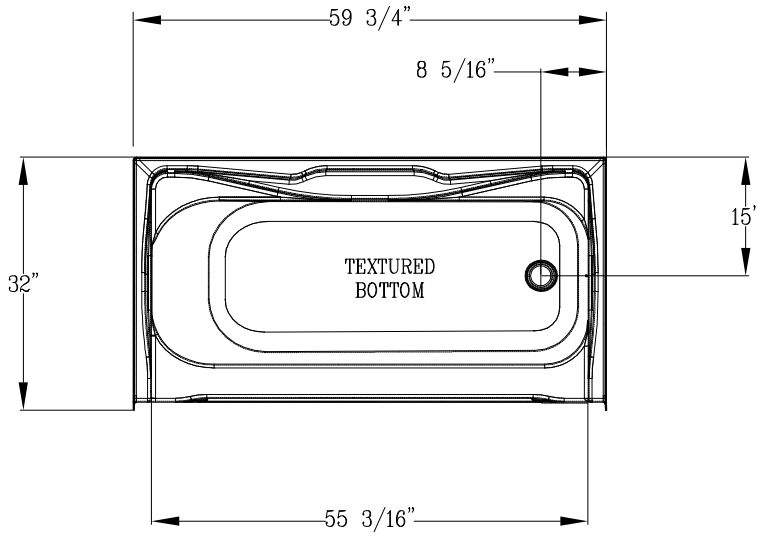


INFORMATION IN THIS DRAWING IS SUBJECT TO CHANGE WITHOUT NOTICE. NO PART OF THIS DRAWING MAY BE REPRODUCED OR TRANSMITTED IN ANY FORM OR BY ANY MEANS, ELECTRONIC OR MECHANICAL, FOR ANY PURPOSE WITHOUT THE WRITTEN PERMISSION OF AQUA GLASS CORPORATION.



TOLERANCE: ±1/4	GAL. TO OVERFLOW: 0	GENERAL NOTES BATHING WELL DIMENSIONS TOP: 55 1/2" X 20 1/2" BOTTOM: 46 5/8" X 15 13/16" SHOWER DOOR DIMENSIONS 55 3/16" X 55 1/2"	<h1 style="color: blue;">AQUA GLASS®</h1> 320 INDUSTRIAL PARK RD. ADAMSVILLE, TN 38310	PRODUCT OR PART NO.: 326032DR/L
REV: C	OPERATING CAPACITY: 0			PRODUCT NAME
SCO NO.: 2158	DRAWN BY: JAJ			COMPETITIVE GELCOAT
SCO DATE: 07/26/07	FIN. INTERIOR: XX in²			TUBSHOWER