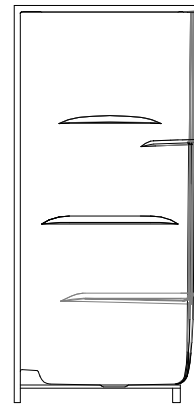
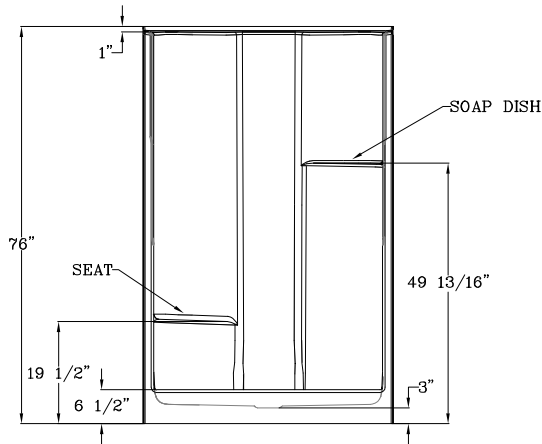
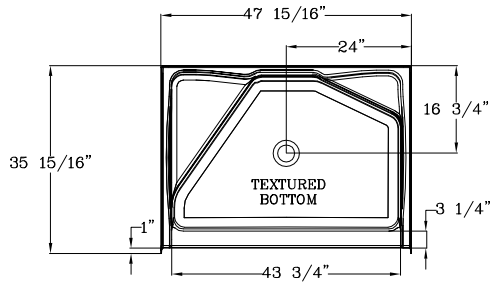



INFORMATION IN THIS DRAWING IS SUBJECT TO CHANGE WITHOUT NOTICE. NO PART OF THIS DRAWING MAY BE REPRODUCED OR TRANSMITTED IN ANY FORM OR BY ANY MEANS, ELECTRONIC OR MECHANICAL, FOR ANY PURPOSE WITHOUT THE WRITTEN PERMISSION OF AQUA GLASS CORPORATION.



TOLERANCE: ±1/4	 <b>AQUA GLASS</b> ® 320 INDUSTRIAL PARK RD. ADAMSVILLE, TN 38310	PRODUCT OR PART NO.: 314836C-R/L	DRAWN BY: RYAN DENTON	GENERAL NOTES SHOWER DOOR OPENING 68 5/16" X 43 3/4"
REV: 0		PRODUCT NAME COMPETITIVE GELCOAT SHOWER	DRAWING DATE: 03-07-07	
SCO NO.: 2106				
SCO DATE: 05-24-07				