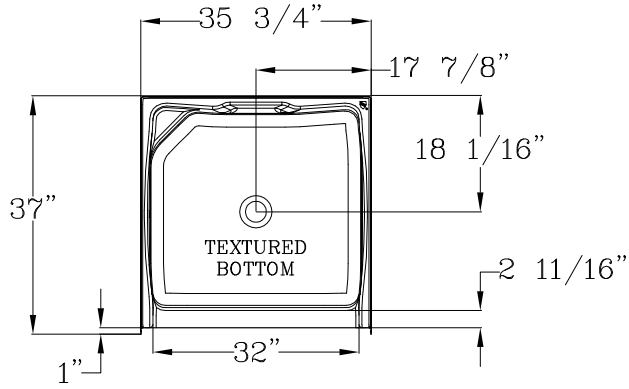
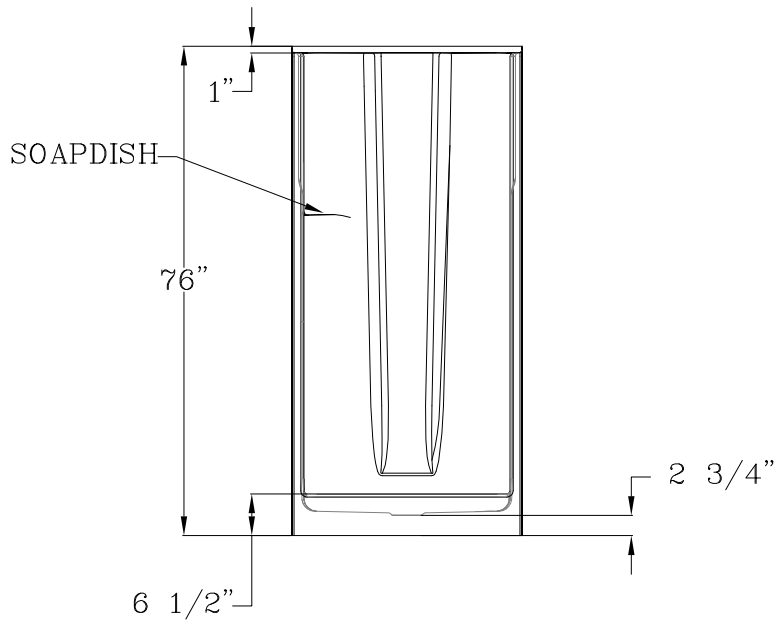


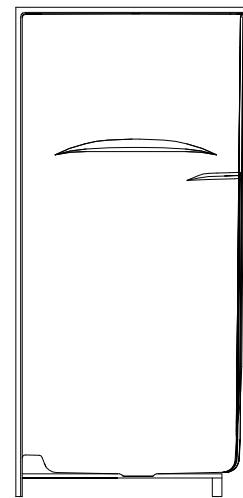
INFORMATION IN THIS DRAWING IS SUBJECT TO CHANGE WITHOUT NOTICE. NO PART OF THIS DRAWING MAY BE REPRODUCED OR TRANSMITTED IN ANY FORM OR BY ANY MEANS, ELECTRONIC OR MECHANICAL, FOR ANY PURPOSE WITHOUT THE WRITTEN PERMISSION OF AQUA GLASS CORPORATION.



TOP VIEW



FRONT VIEW



SIDE VIEW

TOLERANCE: ±1/4	GAL. TO OVERFLOW: 0	GENERAL NOTES  SHOWER DOOR OPENING: 32" X 68 7/16"	<b>AQUA GLASS</b> ®  320 INDUSTRIAL PARK RD. ADAMSVILLE, TN 38310	PRODUCT OR PART NO.: 313637DC
REV: A	OPERATING CAPACITY: 0			PRODUCT NAME
SCO NO.: 2203	DRAWN BY: XX			COMPETITIVE GELCOAT SHOWER
SCO DATE: 09-06-07	FIN. INTERIOR: XX in²			