

CORNER SHOWER BASE & WALL SET

Model No: _____

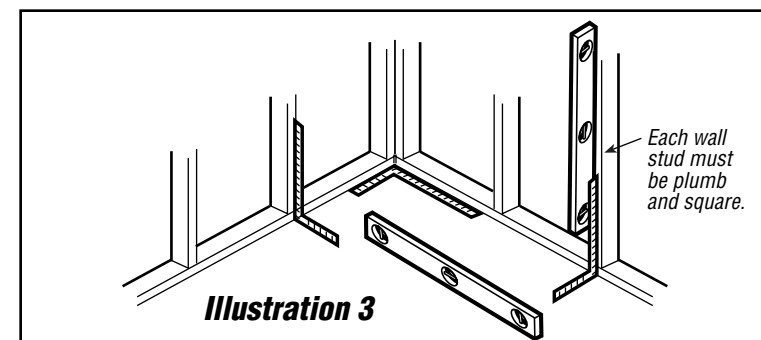
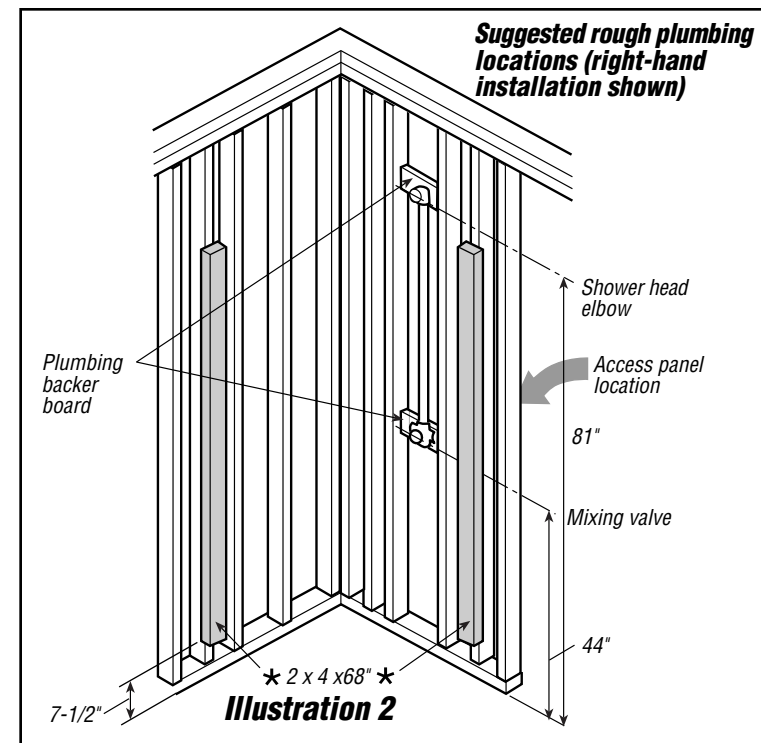
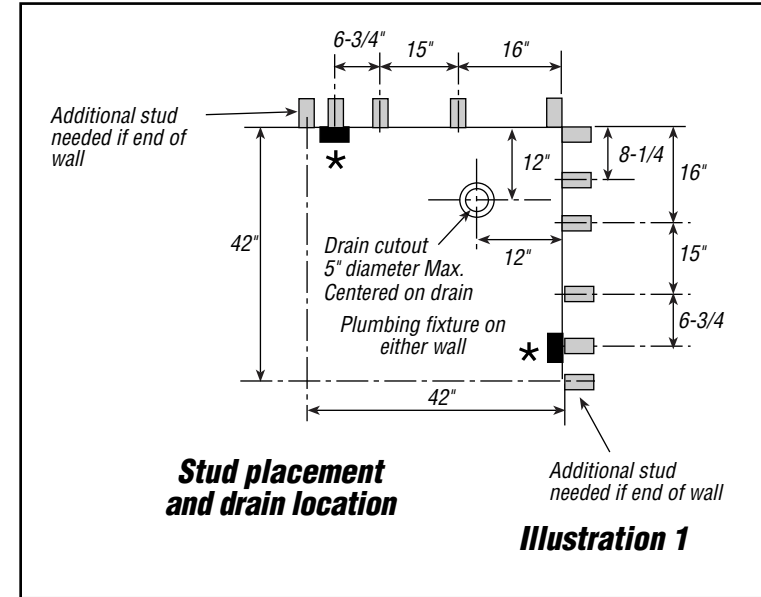
Customer: Please record your model number. The model number is found on the label located on the front panel of the box. It is very important to record your model number. This information is necessary when contacting us. **If you have any questions on the installation of this unit, please do not return to the store where you purchased it. For additional help, call 1-800-355-ASB1, 8:00 am – 6:00 pm (ET) Monday – Thursday and 8:30 am – 3:30 pm (ET) on Friday, or email us at customerservice@asbcorp.com.**

Important! These instructions include suggestions for rough construction, drywall installation and plumbing installation that we believe to be reliable. Local building codes vary by location and could supersede those suggestions. If you are not confident in your ability to perform these tasks, you should use a professional installer or contract out those tasks you need help with.

REQUIREMENTS FOR A SUCCESSFUL INSTALLATION

- Read these instructions and confirm that base will fit in the intended corner before beginning installation.
- The alcove wall studs should be located as shown in Illustration 1 and be plumb. If the studs are not plumb, shimming may be required. It is important that studs are located as shown. If you are remodeling, and a stud is not at that exact location, add a new one. Other studs should be located according to local building codes. A 2 x 4 x 68" backer board (*) must be mounted as shown in Illustration 1 and 2. This provides a solid attachment for enclosures.
 - Rough plumbing must be installed before base and/or wall panels. Illustration 2 shows suggested location of fixtures if new plumbing is being installed. Provide an access panel on the back side of the wall with the plumbing fixtures. If plumbing exists, check that fixtures will clear base and panels. All plumbing must meet local building codes.
 - The base must be installed on a solid and level sub-floor that is square with the wall studs. The base supports, which are built into the shower support base, must sit directly on a level sub-floor.
 - If you are installing the shower base over a sub-floor other than plywood, place padding between the base and sub-floor to prevent squeaking. Recommended padding includes spun-bonded landscape fabric or house wrap material. Use of other materials may result in squeaking.
 - Cut a portion from the carton to protect the base from damage during installation.
 - The base should not be installed in areas where the temperature may drop below freezing (32°F or 0°C).
 - Allow base to reach room temperature for 30 minutes before installing.

Important: The wall studs must be plumb and square to the floor! Inside corner must be square (Refer to Illustration 3).
- Special installations:
 - Above the floor drains**
Create a platform of 2 x 4's (or taller depending on drain requirements) to raise the entire base area and cover it with sub-flooring. This platform must be level and square to the wall studs. When installing plumbing, add platform height to the dimensions shown in Illustration 2.
 - Masonry walls**
Construct a 2 x 6 stud wall for the plumbing end. Apply 2 x 2 furring strips to the masonry wall in the same locations as the studs in Illustration 1.
 - Installation over greenboard or firewalls**
If you are installing wall panels over greenboard and/or firewall material, and not directly on the studs, your dimensions must take into account the thickness of this material and measurements should be taken from the inside of the finished walls.



TOOLS & MATERIALS REQUIRED

Installation requires common household tools and:

- Level & square • Tape measure • Hammer • Pencil
- 3/4" galvanized roofing nails
- 2x4 lumber for additional wall studs (if required)
- Sub-floor panels or leveling compound to ensure floor is level and square with walls
- Necessary water and drain line materials and fittings.
- One 10.5 Fl. Oz. (310 ml) cartridge of adhesive see specifications in wall set requirements below.

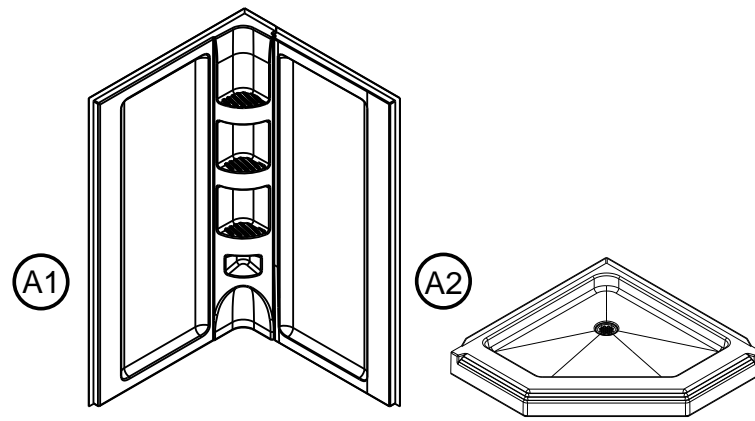
Assembly of the wall set also requires:

- Drill • 3/16" (5mm) drill bit
- Hole saw (sized to accommodate plumbing fixtures) • Caulk gun
- One (1) 10.3 Fl. Oz. (304 ml) cartridge of latex/acrylic caulk
- Two (2) 10.5 Fl. Oz. (310 ml) cartridges of one of the following approved adhesives-
 - ASB Adhesive & Caulk Kit
 - Franklin MultiBond
 - Macco Adhesives' Liquid Nails for base Surrounds (LN-915)
 - Dap 2000 Construction Adhesive
 - Macklanburg-Duncan Adhesive (suitable for polystyrene)

Follow manufacturers' instructions but allow at least 24 hours for caulk and adhesive to set before using.

If you will be installing an enclosure, you will also need:

- Two backer boards - See *Illustration 2* of requirements



Part #	Description	Quantity
A	Side Panels:	
	1. Left Hand	1
	2. Right Hand	1
	Fastener Pack/Paquete de fijadores	1
B	Base	1

Base Installation

- 1 Attach drain to base. Position base in corner (*Figure 1*). Check that base is sitting flat on floor and that it is level and square to the wall studs. Minor adjustments can be made by shimming the bottom support. There should be no more than 1/8" gap between the top base flange and the wall studs. If needed, remove the base from the corner, shim as required, reposition base, and check again. Repeat as necessary.

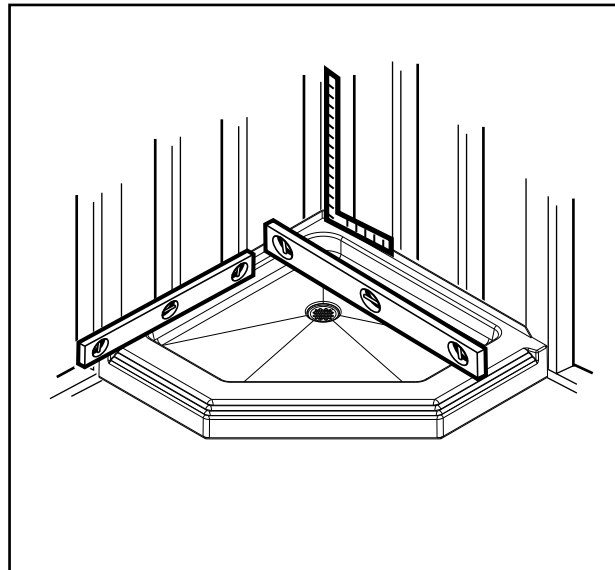


Figure 1

- 2 Apply beads of adhesive on ridges in the base bottom support. Reposition the base and press down firmly to ensure good adhesive contact and recheck level. While standing in the base, the top flange should be secured with galvanized roofing nails at each stud location and in two places on each side of the apron. There are two methods in which you can secure the flange to the studs. Option 1 - Install nails just above the flange so that the large nail head holds the flange against the stud. Make sure nail heads do not protrude as to interfere with the

walls when they are installed. Option 2 - Locate and drill 3/16" clearance holes in the center of the nailing flange and centered on each stud. Hammer nails through each hole and into the studs, securing the base.

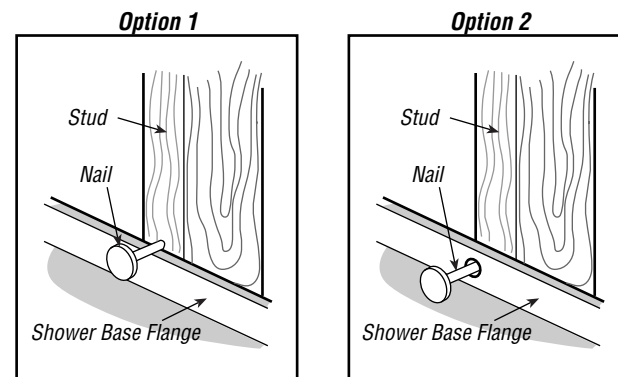


Figure 2

- 3 If you are installing one of our matching wall sets, proceed with the "Wall Set Installation" instructions that follow. If you are installing greenboard with another covering, leave a gap of 1/8" between the base ledge and the wall material to help reduce the chance of water getting into the wall board. When wall is finished, seal this gap with latex/acrylic caulk (*Figure 3*).

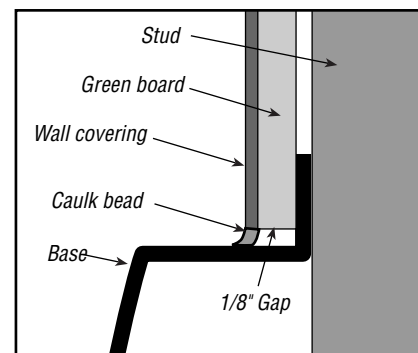


Figure 3

5

Install temporary braces to hold the center of the panels tight to the studs for approximately 24 hours while adhesive sets (Figure 4).

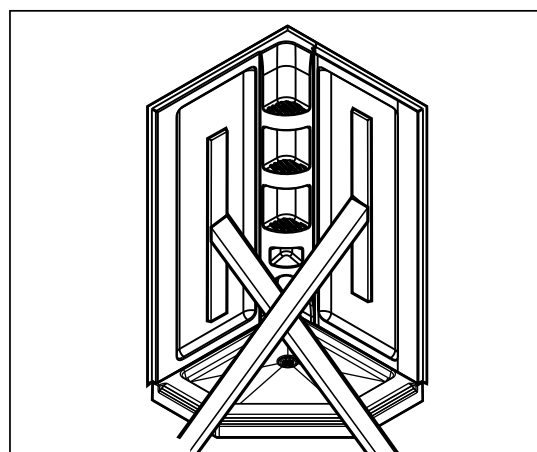


Figure 4

6

Install greenboard. When installing greenboard, position drywall screws above the top nailing flange to avoid having to drill clearance holes. If you choose to screw through the nailing flange, you MUST drill 3/16" clearance holes in the flange to avoid cracking/damaging the flange.

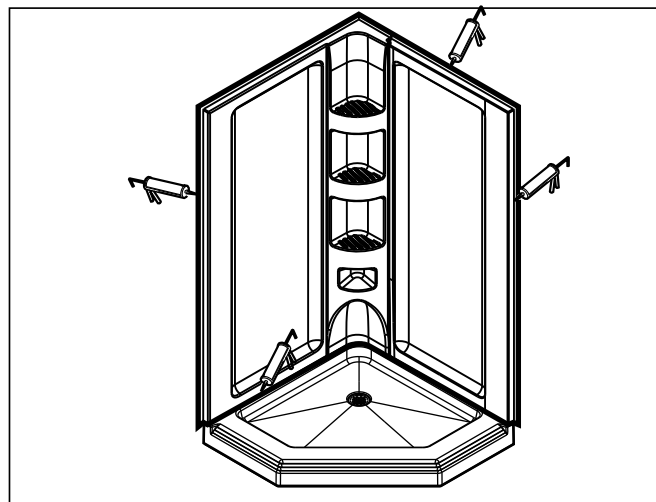


Figure 5

7

After greenboard is installed, apply finished latex/acrylic caulk bead to all edges and joints (Figure 5). Follow caulk manufacturers' recommended cure time.

8

Make connections to supply and drain lines.

CARE AND CLEANING

For regular cleaning use only mild detergents or warm, soapy water applied with a soft cloth. Always rinse surfaces after cleaning and dry by blotting with a damp cloth or chamois.

Because cleaning products often change over time, we cannot recommend a specific cleaner to use on this product. However, whichever you choose:

- Always check the manufacturer's instructions
- DO NOT use a cleaner on this product if the label indicates it should not be used on plastics

To make this product last its longest:

- Always rinse off cleaners within 5 minutes of application
- Rinse off cleaners even if they say they are "spray on & walk away"

LIMITED WARRANTY

The manufacturer warrants to the original consumer purchaser that its products will be free of defects in materials and workmanship, subject to the limitations, exclusions and conditions that follow, from date of original purchase as shown on purchaser's receipt. The manufacturer will, at its discretion replace or repair FREE OF CHARGE, during the warranty period, any part which the manufacturer determines to be defective in material and/or workmanship under normal installation, use and service. The original consumer purchaser must notify the manufacturer in writing of any defect covered by the warranty at the address listed. THIS WARRANTY IS THE ONLY EXPRESS WARRANTY MADE BY THE MANUFACTURER. ANY CLAIMS MADE UNDER THIS WARRANTY MUST BE MADE DURING THE PERIOD REFERRED TO ABOVE. ANY IMPLIED WARRANTY OF MERCHANTABILITY OR FITNESS FOR A PARTICULAR PURPOSE IS LIMITED IN DURATION TO THE DURATION OF THIS WARRANTY. LABOR CHARGES AND/OR DAMAGE INCURRED IN INSTALLATION, REPAIR OR REPLACEMENT AS WELL AS INCIDENTAL AND CONSEQUENTIAL DAMAGES CONNECTED THEREWITH ARE EXCLUDED AND WILL NOT BE PAID BY THE MANUFACTURER. Some states do not allow limitations on how long an implied warranty lasts, or the exclusion or limitation of incidental or consequential damages, so the above limitations or exclusions may not apply to you. This warranty gives you specific legal rights, and you may also have other rights which vary from state to state. This warranty is void for any damage to this product due to misuse, abuse, neglect, accident, improper installation, modification, unauthorized repair, or any use violative of instructions furnished by us.

Wall Set Installation

1 Position the two wall panels as they will go into the corner. Horizontal nailing flanges will be located at the top of both panels. Lower each panel onto the shower alignment locators (Figure 1) to ensure that the panels are lined up correctly in the alcove. Decide which side panel will need cutouts for plumbing fixtures. Carefully locate, mark and cut holes, using the proper size hole saw.

2 Apply caulk into recess in corners of both panels. Assemble right and left panels. Secure with screws, nuts & washers in 4 places (Figure 1). Check fit before proceeding.

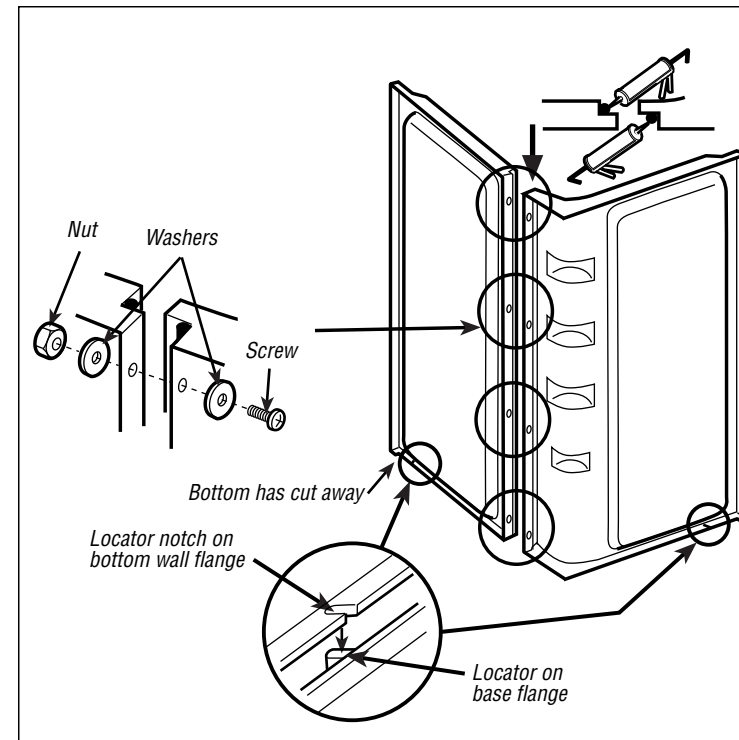


Figure 1

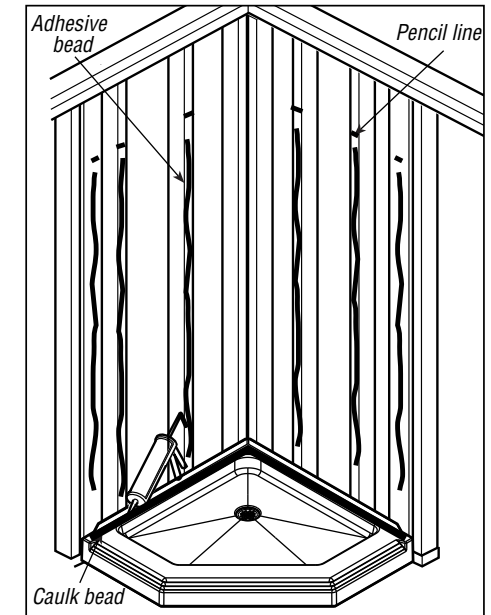


Figure 2

3 When satisfied with fit, mark the top of the panels on each stud. Remove the panels. Apply a bead of adhesive down each stud that will come in contact with the back panel being sure to stay below the line you marked. You do not need to apply adhesive to the corner studs. Lay a bead of latex/acrylic caulk along base ledge (Figure 2). Reposition panels and press firmly in corner against studs.

4 Locate and drill a 3/16" hole in the center of the nailing flange at the top of the panel and centered on each stud. Also drill 3/16" holes in the front nailing flange on each side panel at approx. 12" intervals, centered on the flange (Figure 3). Hammer 3/4" galvanized roofing nails through each hole and into the studs, securing the wall panel.

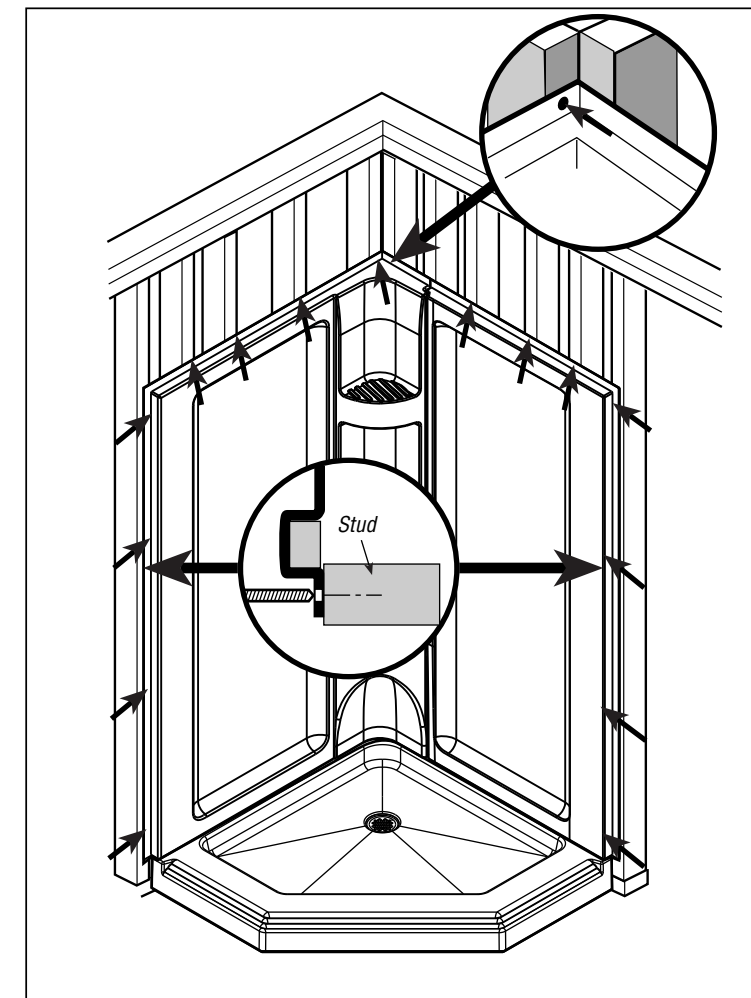


Figure 3